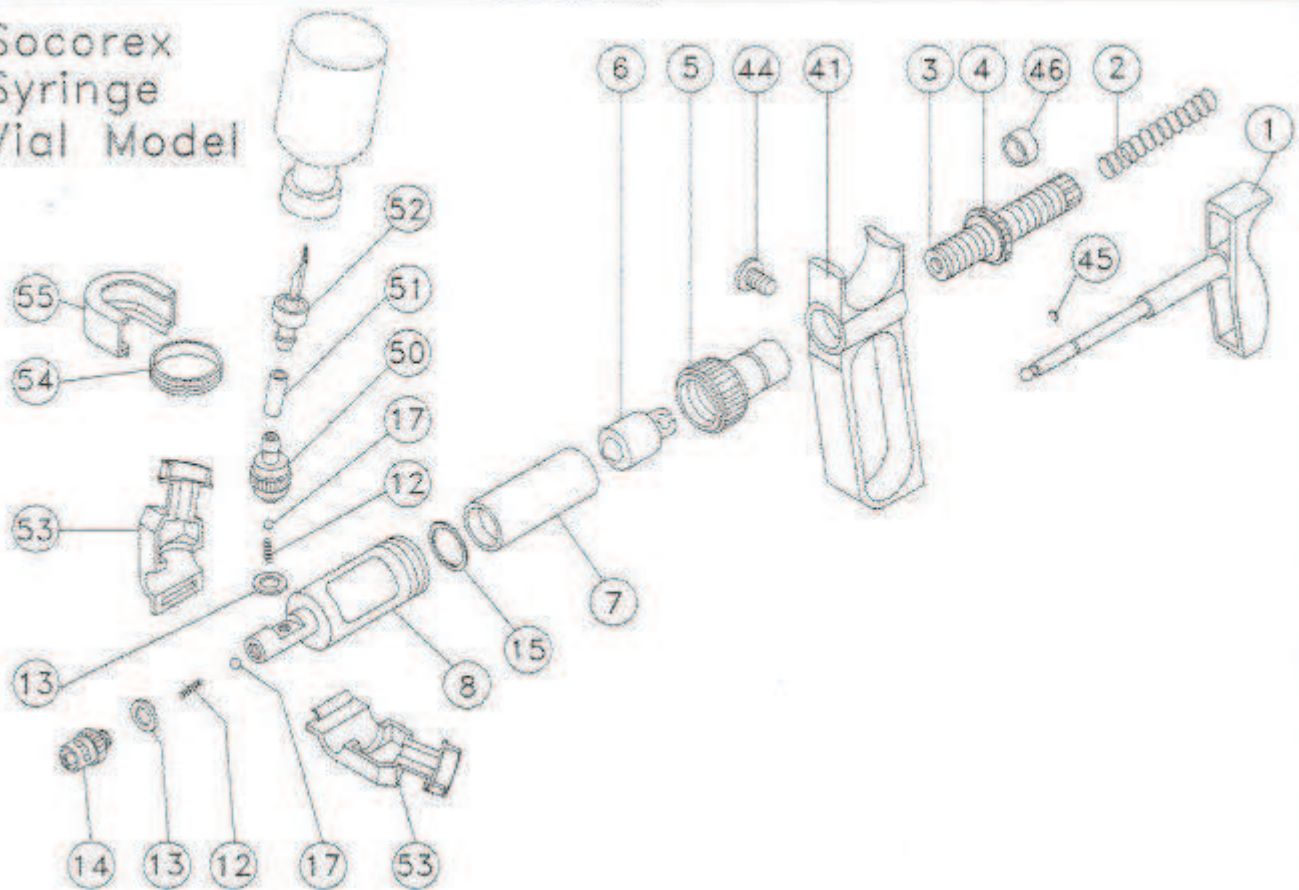
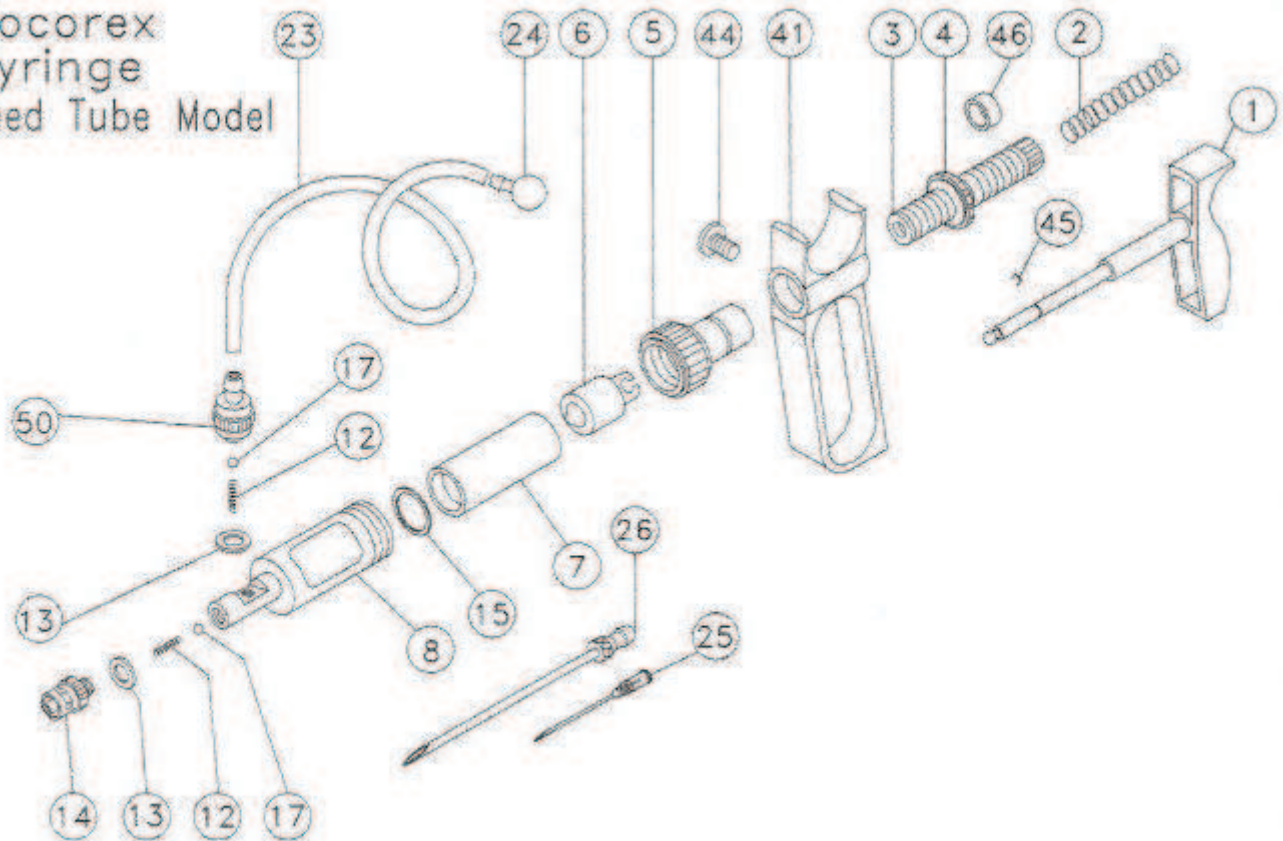


Socorex
Syringe
Vial Model



Socorex
Syringe
Feed Tube Model



SOCOREX REPLACEMENT PART FOR .5ML - 10 ML SYRINGES ONLY

SOCOREX Syringes, Kits, and Accessories

Part No.	Socorex Number	Diagram #	Part Description	Syringe Size				
				.5 ml	1 ml	2 ml	5 ml	10 ml
9300	187.1.05005	ALL	Syringe with Vial Holder	9300	9301	9302	9305	9310
9301	187.1.0501		Syringe - .5 ml					
9302	187.1.0502		Syringe - 1 ml					
9305	187.1.0505		Syringe - 2 ml					
9310	187.1.0510		Syringe - 5 ml					
9400	187.2.05005		Syringe with Feed Tube	9400	9401	9402	9405	9410
9401	187.2.0501		Syringe - .5 ml					
9402	187.2.0502		Syringe - 1 ml					
9405	187.2.0505		Syringe - 2 ml					
9410	187.2.0510		Syringe - 5 ml					
9500	187.3.05005		Syringe with Vial Holder & Feedtube	9500	9501	9502	9505	9510
9501	187.3.0501		Syringe - .5 ml					
9502	187.3.0502		Syringe - 1 ml					
9505	187.3.0505		Syringe - 2 ml					
9510	187.3.0510		Syringe - 5 ml					
9700	1.187.72005	12,13,15,17	VALVE REBUILD KIT - COMPLETE	9700	9701	9702	9705	9710
9701	1.187.7201		VALVE REBUILD KIT .5 ML					
9702	1.187.7202		VALVE REBUILD KIT 1 ML					
9705	1.187.7205		VALVE REBUILD KIT 2 ML					
9710	1.187.7210		VALVE REBUILD KIT 5 ML					
9515	1.187.2B	23-26	FEED TUBE KIT - COMPLETE	9515	9515	9515	9515	9515
9517	1.187.1C-GREEN	50-55	VIAL HOLDER KIT - GREEN	9517	9517	9517	9517	9517
9518	1.187.1C-BLUE		VIAL HOLDER KIT - BLUE	9518	9518	9518	9518	9518
9519	1.187.2HOL	---	HOLSTER FOR SYRINGE	9519	9519	9519	9519	9519
9525	320.170	---	SOCOREX WORKSTATION STAND	9525	9525	9525	9525	9525

Replacement Parts List for .5ml - 10 ml

Part Number	Socorex Number	Diagram #	Part Description	Syringe Size				
				.5 ml	1 ml	2 ml	5 ml	10 ml
		1	PISTON ROD-GRN (before 13021001)	9631	9631	9632	9635	9640
			PISTON ROD-GRN (after 13021001)	9628	9631	9629	9635	9640
			PISTON ROD - BLUE	9870	9871	9872	9873	9874
9631	01.187.971		PISTON ROD-.5ML GRN (before 13021001)					
9628	01.187.970		PISTON ROD-.5ML GRN (after 13021001)					
9870	01.187.940		PISTON ROD - .5ML BLUE					
9631	01.187.971		PISTON ROD-1ML GREEN					
9871	01.187.941		PISTON ROD - 1ML BLUE					
9632	01.187.972		PISTON ROD-2ML GRN (before 13021001)					
9629	01.187.978		PISTON ROD-2ML GRN (after 13021001)					
9872	01.187.942		PISTON ROD - 2ML BLUE					
9635	01.187.973		PISTON ROD- 5ML GREEN					
9873	01.187.943		PISTON ROD - 5ML BLUE					
9640	01.187.974	PISTON ROD- 10ML GREEN						
9874	01.187.945	PISTON ROD - 10ML BLUE						

Replacement Parts List for .5ml - 10 ml

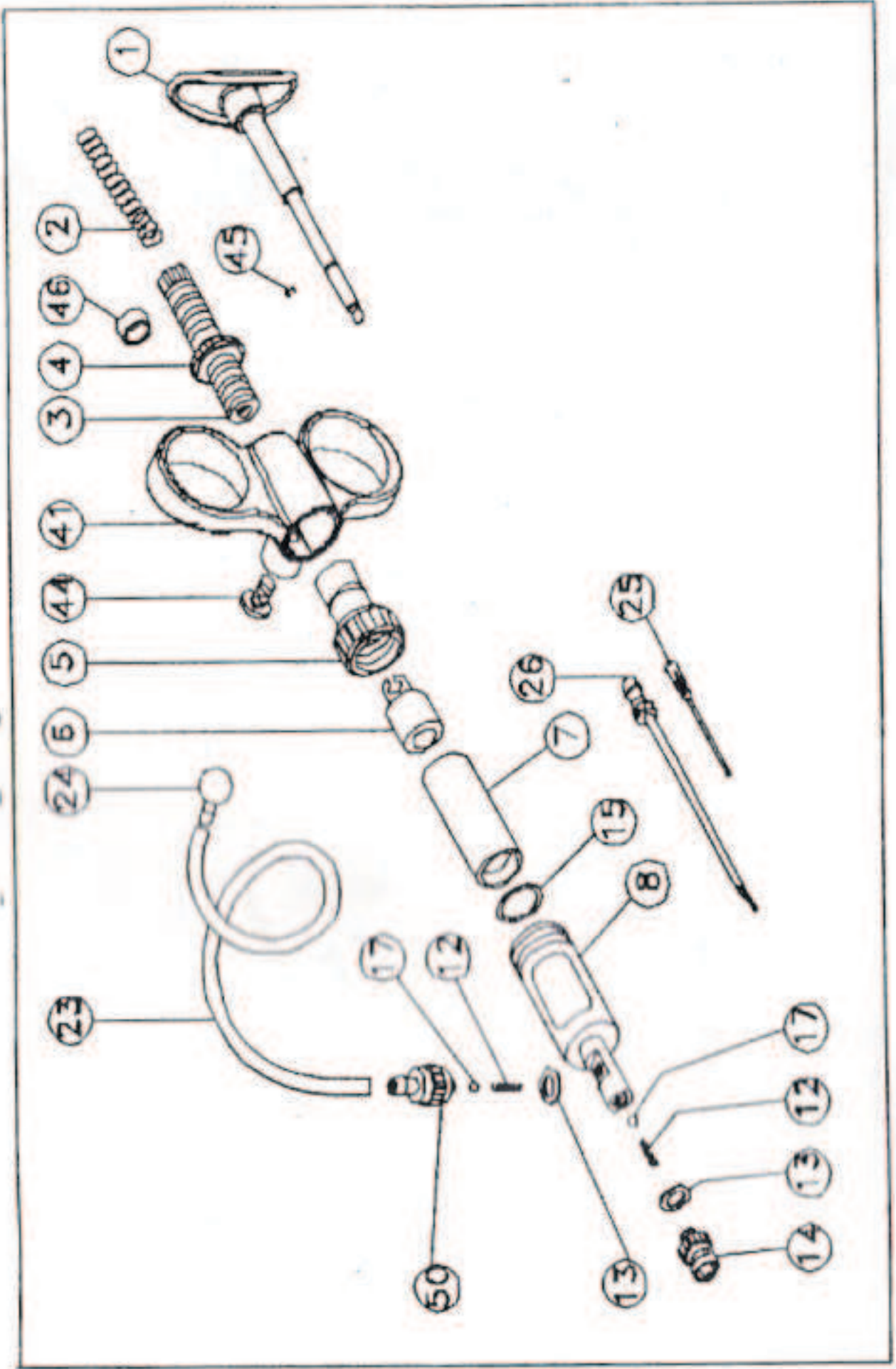
Part Number	Socorex Number	Diagram #	Part Description	Syringe Size				
				.5 ml	1 ml	2 ml	5 ml	10 ml
9675	02.187.751	2	PISTON ROD SPRING (before 13021001)	9675	9675	9676	9677	9678
9676	02.187.752		PISTON ROD SPRING (after 13021001)	9675	9675	9686	9687	9678
9686	02.187.758		PISTON ROD SPRING - .5 & 1 ML					
9677	02.187.753		SPRING - 2 ML (before 13021001)					
9687	02.822.752		SPRING - 2 ML (after 13021001)					
9678	02.187.754		SPRING - 5 ML (before 13021001)					
9678	02.187.754		PISTON ROD SPRING - 10 ML					
9979	03.187.961	3	PISTON ROD SOCKET - THREADED	9979	9979	9980	9981	9982
9980	03.187.962		PISTON ROD SOCKET-.5 & 1 ML					
9981	03.187.963		PISTON ROD SOCKET-2 ML					
9982	03.187.964		PISTON ROD SOCKET-5 ML					
			PISTON ROD SOCKET-10 ML					
9983	04.187.551	4	SOCKET NUT	9983	9983	9984	9985	9985
9984	04.187.552		SOCKET NUT-.5 & 1 ML					
9985	04.187.553		SOCKET NUT-2 ML					
			SOCKET NUT-5 ML & 10 ML					
9660	05.187.520	5	CAP	9660	9661	9662	9665	9670
9661	05.187.521		CAP - .5 ML					
9662	05.187.522		CAP - 1 ML					
9665	05.187.523		CAP - 2 ML					
9670	05.187.524		CAP - 5 ML					
			CAP - 10 ML					
N/A	NA	6	PISTON ONLY	***	9621	9622	9625	9630
9619	06.187.585		PISTON - .5 ML(before # 13101001)	N/A				
9621	06.187.586		PISTON - .5 ML(after # 13101001)	9619				
9622	06.187.587		PISTON - 1 ML					
9625	06.187.588		PISTON - 2 ML					
9630	06.187.971		PISTON - 5 ML					
9600	07.187.005P		6 & 7	BARREL & PISTON SET .5 ML	9600			
N/A	NA	7	GLASS BARREL ONLY	***	9601	9602	9605	9610
9615	07.187.005		REPL BARREL-.5ML(before # 13101001)	N/A				
9601	07.187.01		REPL BARREL-.5ML(after # 13101001)	9615				
9602	07.187.02		REPLACEMENT BARREL-1ML					
9605	07.187.05		REPLACEMENT BARREL-2ML					
9610	07.187.10		REPLACEMENT BARREL-5ML					
			REPLACEMENT BARREL-10ML					
9647	08.187.502	8	CASING	9647	9641	9642	9645	9650
9641	08.187.503		CASING - .5 ML					
9642	08.187.505		CASING - 1 ML					
9645	08.187.507		CASING - 2 ML					
9650	08.187.509		CASING - 5 ML					
			CASING - 10ML					
9700	1.187.72005	12,13,15,17	VALVE REBUILD KIT - COMPLETE	9700	9701	9702	9705	9710
9701	1.187.7201		VALVE REBUILD KIT-.5ML					
9702	1.187.7202		VALVE REBUILD KIT-1ML					
9705	1.187.7205		VALVE REBUILD KIT-2ML					
9710	1.187.7210		VALVE REBUILD KIT-5ML					
			VALVE REBUILD KIT-10ML					
9920	12.187.981	12	SOCOREX VALVE SPRINGS (PK 10)	9920	9920	9920	9920	9920
9922	13.187.921	13	SOCOREX VALVE WASHERS (PK 10)	9922	9922	9922	9922	9922
9914	14.705.010	14	NOZZLE - LUER LOCK	9914	9914	9914	9914	9914

Replacement Parts List for .5ml - 10 ml

Part Number	Socorex Number	Syringe Size						
		Diagram #	Part Description	.5 ml	1 ml	2 ml	5 ml	10 ml
9919	15.187.728	15	BARREL CASING WASHERS (PK 10)	9919	9915	9916	9917	9918
9915	15.187.724		BARREL CASING WASHERS(10)-0.5M					
9916	15.187.725		BARREL CASING WASHERS(10)-1 ML					
9917	15.187.726		BARREL CASING WASHERS(10)-2 ML					
9918	15.187.727		BARREL CASING WASHERS(10)-5 ML					
9921	17.187.991	17	SOCOREX VALVE BALLS (PK 10)	9921	9921	9921	9921	9921
9515	1.187.2B	23-26	FEED TUBE KIT - COMPLETE	9515	9515	9515	9515	9515
9923	23.187.705	23	SOCOREX FEED TUBE-3 FEET	9923	9923	9923	9923	9923
9924	F00161115000	23 Bulk	SOCOREX FEED TUBE-BULK	9924	9924	9924	9924	9924
9540	24.187.596	24	SINKER - FEEDTUBE MODELS	9540	9540	9540	9540	9540
9543	25.187.933 EA	25	PLASTIC VENT CANULA	9543	9543	9543	9543	N/A
9545	25.187.591		METAL VENT CANULA (10ML)	N/A	N/A	N/A	N/A	9545
9544	25.187.933	25 Bulk	PLASTIC VENT CANULA (PK 10)	9544	9544	9544	9544	N/A
9550	26.187.592	26	FEED NEEDLE	9550	9550	9550	9550	9550
9941	41.187.561	41	HANDLE - GREEN	9941	9941	9941	9941	9941
9876	41.187.560		HANDLE - BLUE	9876	9876	9876	9876	9876
9944	44.187.701	44	HANDLE SCREW	9944	9944	9944	9944	9944
9945	45.187.731	45	HANDLE CLIPS (PK 10)	9945	9945	N/A	N/A	N/A
9946	46.187.711	46	SOCKET SLEEVE	9946	9946	9947	9948	9949
9947	46.187.712		SOCKET SLEEVE-.5 & 1 ML					
9948	46.187.713		SOCKET SLEEVE-2 ML					
9949	46.187.714		SOCKET SLEEVE-5 ML					
9517	1.187.1C-GREEN	50-55	VIAL HOLDER KIT - GREEN	9517	9517	9517	9517	9517
9518	1.187.1C-BLUE		VIAL HOLDER KIT - BLUE	9518	9518	9518	9518	9518
9950	50.187.959	50	INTAKE VALVE (before # 13101001)	9950	9950	9950	9950	9950
9951	50.187.618		INTAKE VALVE (after # 13101001)	9950	9950	9951	9951	9951
9952	52.188.952	52	INTAKE NEEDLE - VIAL HOLDER	9952	9952	9952	9952	9952
9953	53.188.951	53	VIAL HOLDER BODY GREEN (both halves)	9953	9953	9953	9953	9953
9878	53.187.950		VIAL HOLDER BODY BLUE (both halves)	9878	9878	9878	9878	9878
9954	54.188.513	54	VIAL HOLDER RING	9954	9954	9954	9954	9954
9955	55.188.504	55	VIAL HOLDER LOCK GREEN	9955	9955	9955	9955	9955
9879	55.187.740		VIAL HOLDER LOCK BLUE	9879	9879	9879	9879	9879

20ML SOCOREX Replacement Parts List

Part Number	Socorex Number	Diagram #	Part Description	Syringe Size 20 ml
9420	187.2.0520	ALL	20ML SYRINGE W/ FEEDTUBE	9420
9680	01.187.975	1	PISTON ROD - GREEN	9680
N/A	01.187.946		PISTON ROD - BLUE	N/A
9679	02.187.755	2	PISTON ROD SPRING	9679
9987	03.187.965	3	PISTON ROD SOCKET	9987
9986	04.187.554	4	FRONT NUT	9986
9671	05.187.525	5	CAP	9671
9630	06.187.589	6	PISTON ONLY	9630
9620	07.0111.020	7	GLASS BARREL (before 12021000)	9620
N/A	07.187.20		GLASS BARREL (after 12021000)	N/A
9720	1.187.7220	12,13,15,17	VALVE REBUILD KIT - COMPLETE	9720
9918	15.187.927	15	BARREL CASING WASHERS (PK 10)	9918
9547	25.187.593	25	VENT CANULA	9547
9551	26.187.594	26	FEED NEEDLE	9551
N/A	27.111.515	27	CASING (before 12021000)	N/A
N/A	27.187.510		CASING (after 12021000)	N/A
N/A	28.721.020	28	NOZZLE PLATE	N/A
9930	30.187.955	30-37	VALVE ASSY-COMPLETE(before 12021000)	9930
9932	30.187.606	30	VALVE BODY ONLY	9932
9933	31.187.621	31	INTAKE VALVE	9933
9934	32.187.922	32	VALVE WASHERS (PK 10)	9934
N/A	34.705.020	34	LL NOZZLE	N/A
9935	35.187.982	35	INTAKE VALVE SPRINGS (PK 10)	9935
9936	36.187.983	36	OUTLET VALVE SPRINGS (PK 10)	9936
9937	37.187.993	37	VALVE BALLS (PK 10)	9937
9938	41.187.571	41	HANDLE - GREEN	9938
N/A	41.187.570		HANDLE - BLUE	N/A
N/A	44.187.932	44	HANDLE SCREW & BRAKE	N/A
9949	46.187.714	46	SOCKET SLEEVE	9949



SOCOREX Ring Handle Syringes

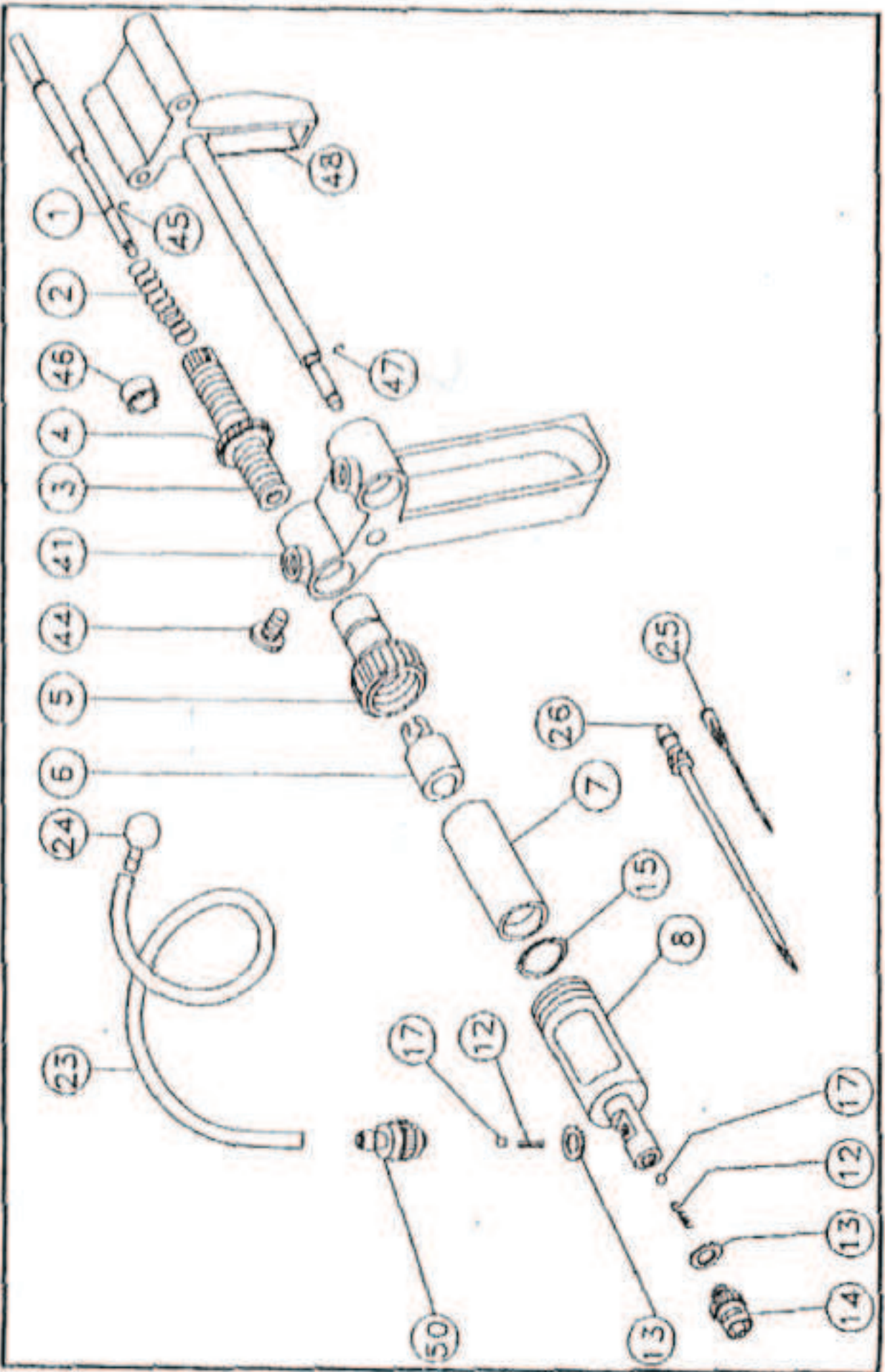
Part Number	Socorex Number	Diagram #	Part Description	Syringe Size			
				.5 ml	1 ml	2 ml	5 ml
9430	167.2.05005	ALL	Ring Handle Syringe	9430	9431	9432	9432
9431	167.2.0501		Ring Handle Syringe - .5ml				
9432	167.2.0502		Ring Handle Syringe - 1ml				
9435	167.2.0505		Ring Handle Syringe - 2ml				
			Ring Handle Syringe - 5ml				
9700	1.187.72005	12,13,15,17	VALVE REBUILD KIT - COMPLETE	9700	9701	9702	9705
9701	1.187.7201		VALVE REBUILD KIT .5ML				
9702	1.187.7202		VALVE REBUILD KIT 1ML				
9705	1.187.7205		VALVE REBUILD KIT 2ML				
			VALVE REBUILD KIT 5ML				
9515	1.187.2B	23-26	FEED TUBE KIT - COMPLETE	9515	9515	9515	9515
9519	1.187.2HOL	---	HOLSTER FOR SYRINGE	9519	9519	9519	9519

Replacement Parts List

Part Number	Socorex Number	Diagram #	Part Description	Syringe Size			
				.5 ml	1 ml	2 ml	5 ml
9690	01.167.970	1	PISTON ROD	9690	9691	9692	9695
9691	01.167.971		PISTON ROD - .5 ML				
9692	01.167.978		PISTON ROD - 1 ML				
9695	01.167.973		PISTON ROD - 2 ML				
			PISTON ROD - 5 ML				
9675	02.187.751	2	PISTON ROD SPRING	9675	9675	9686	9687
9686	02.187.758		PISTON ROD SPRING - .5 & 1 ML				
9687	02.822.752		PISTON ROD SPRING - 2 ML				
			PISTON ROD SPRING - 5 ML				
9979	03.187.961	3	PISTON ROD SOCKET - THREADED	9979	9979	9980	9981
9980	03.187.962		PISTON ROD SOCKET-.5 & 1 ML				
9981	03.187.963		PISTON ROD SOCKET-2 ML				
			PISTON ROD SOCKET-5 ML				
9983	04.187.551	4	SOCKET NUT	9983	9983	9984	9985
9984	04.187.552		SOCKET NUT - .5 & 1 ML				
9985	04.187.553		SOCKET NUT-2 ML				
			SOCKET NUT-5 ML				
9660	05-187.520	5	CAP	9660	9661	9662	9665
9661	05.187.521		CAP - .5 ML				
9662	05.187.522		CAP - 1 ML				
9665	05.187.523		CAP - 2 ML				
			CAP - 5 ML				
N/A	NOT AVAILABLE	6	PISTON ONLY	***	9621	9622	9625
9619	06.187.585		PISTON - .5 ML(before # 13101001)	N/A			
9621	06.187.586		PISTON - .5 ML(after # 13101001)	9619			
9622	06.187.587		PISTON - 1 ML				
9625	06.187.588		PISTON - 2 ML				
			PISTON - 5 ML				
9600	07.187.005P	6 & 7	BARREL & PISTON SET .5 ML	9600			
N/A	NOT AVAILABLE	7	GLASS BARREL ONLY	***	9601	9602	9605
9615	07.187.005		REPL BARREL-.5ML(before # 13101001)	N/A			
9601	07.187.01		REPL BARREL-.5ML(after # 13101001)	9615			
9602	07.187.02		REPLACEMENT BARREL-1ML				
9605	07.187.05		REPLACEMENT BARREL-2ML				
			REPLACEMENT BARREL-5ML				
9647	08.187.502	8	CASING	9647	9641	9642	9645
9641	08.187.503		CASING - .5 ML				
9642	08.187.505		CASING - 1 ML				
9645	08.187.507		CASING - 2 ML				
			CASING - 5 ML				
9700	1.187.72005	12,13,15,17	VALVE REBUILD KIT - COMPLETE	9700	9701	9702	9705
9701	1.187.7201		VALVE REBUILD KIT-.5ML				
9702	1.187.7202		VALVE REBUILD KIT-1ML				
9705	1.187.7205		VALVE REBUILD KIT-2ML				
			VALVE REBUILD KIT-5ML				

SOCOREX Ring Handle Syringes

Part Number	Socorex Number	Diagram #	Part Description	Syringe Size			
				.5 ml	1 ml	2 ml	5 ml
9920	12.187.981	12	SOCOREX VALVE SPRINGS (PK 10)	9920	9920	9920	9920
9922	13.187.921	13	SOCOREX VALVE WASHERS (PK 10)	9922	9922	9922	9922
9914	14.705.010	14	NOZZLE - LUER LOCK	9914	9914	9914	9914
		15	BARREL CASING WASHERS (PK 10)	9919	9915	9916	9917
9919	15.187.928		BARREL CASING WASHERS(10) .5ML				
9915	15.187.924		BARREL CASING WASHERS(10) 1ML				
9916	15.187.925		BARREL CASING WASHERS(10)-2 ML				
9917	15.187.926		BARREL CASING WASHERS(10)-5 ML				
9921	17.187.991	17	SOCOREX VALVE BALLS (PK 10)	9921	9921	9921	9921
9515	1.187.2B	23-26	FEED TUBE KIT - COMPLETE	9515	9515	9515	9515
9923	23.187.705	23	SOCOREX FEED TUBE-3 FEET	9923	9923	9923	9923
9924	F00161115000	23 Bulk	SOCOREX FEED TUBE-BULK	9924	9924	9924	9924
9540	24.187.596	24	SINKER - FEEDTUBE MODELS	9540	9540	9540	9540
9543	25.187.591	25	PLASTIC VENT CANULA	9543	9543	9543	9543
9544	25.187.933	25 Bulk	PLASTIC VENT CANULA (PK 10)	9544	9544	9544	9544
9550	26.187.592	26	FEED NEEDLE	9550	9550	9550	9550
9963	41.167.562	41	HANDLE	9963	9963	9963	9963
9944	44.187.701	44	HANDLE SCREW	9944	9944	9944	9944
9945	45.187.931	45	HANDLE CLIPS (PK 10)	9945	9945	N/A	N/A
		46	SOCKET SLEEVE	9946	9946	9947	9948
9946	46.187.711		SOCKET SLEEVE-.5 & 1 ML				
9947	46.187.712		SOCKET SLEEVE-2 ML				
9948	46.187.713		SOCKET SLEEVE-5 ML				
		50	INTAKE VALVE	9950	9950	9951	9951
9950	50.187.959		INTAKE VALVE - .5 & 1 ML				
9951	50.187.618		INTAKE VALVE- 2 & 5ML				



SOCOREX Twin Syringes

Part Number	Socorex Number	Diagram #	Part Description	Syringe Size			
				.5 ml	1 ml	2 ml	5 ml
		ALL	TWIN Syringe	9100	9101	9102	9105
9100	287.2.05005		TWIN Syringe - .5ml				
9101	287.2.0501		TWIN Syringe - 1ml				
9102	287.2.0502		TWIN Syringe - 2ml				
9105	287.2.0505		TWIN Syringe - 5ml				
9700	1.187.72005	12,13,15,17	VALVE REBUILD KIT - COMPLETE	9700	9701	9702	9705
9515	1.187.2B	23-26	FEED TUBE KIT - COMPLETE	9515	9515	9515	9515
9519	1.187.2HOL	---	HOLSTER FOR SYRINGE	9519	9519	9519	9519
9525	320.170	---	SOCOREX WORKSTATION STAND	9525	9525	9525	9525

Replacement Parts List

Part Number	Socorex Number	Diagram #	Part Description	Syringe Size			
				.5 ml	1 ml	2 ml	5 ml
		1	PISTON ROD (before 13021001)	9656	9636	9637	9638
			PISTON ROD (after 13021001)	9636	9636	9657	9638
9656	01.287.970		PISTON ROD - .5 ML (before 13021001)				
9636	01.287.971		PISTON ROD - .5 ML (after 13021001)				
9636	01.287.971		PISTON ROD - 1 ML				
9637	01.287.972		PISTON ROD - 2 ML (before 13021001)				
9657	01.287.978		PISTON ROD - 2 ML (after 13021001)				
9638	01.287.973		PISTON ROD - 5 ML				
		2	PISTON ROD SPRING (before 13021001)	9675	9675	9676	9677
			PISTON ROD SPRING (after 13021001)	9675	9675	9686	9687
9675	02.187.751		PISTON ROD SPRING - .5 & 1 ML				
9676	02.187.752		SPRING - 2 ML (before 13021001)				
9686	02.187.758		SPRING - 2 ML (after 13021001)				
9677	02.187.753		SPRING - 5 ML (before 13021001)				
9687	02.822.752		SPRING - 5 ML (after 13021001)				
		3	PISTON ROD SOCKET - THREADED	9979	9979	9980	9981
9979	03.187.961		PISTON ROD SOCKET-.5 & 1 ML				
9980	03.187.962		PISTON ROD SOCKET-2 ML				
9981	03.187.963		PISTON ROD SOCKET-5 ML				
		4	SOCKET NUT	9983	9983	9984	9985
9983	04.187.551		SOCKET NUT-.5 & 1 ML				
9984	04.187.552		SOCKET NUT-2 ML				
9985	04.187.553		SOCKET NUT-5 ML AND 10 ML				
		5	CAP	9660	9661	9662	9665
9660	05.187.520		CAP - .5 ML				
9661	05.187.521		CAP - 1 ML				
9662	05.187.522		CAP - 2 ML				
9665	05.187.523		CAP - 5 ML				
		6	PISTON ONLY	***	9621	9622	9625
N/A	NOT AVAILABLE		PISTON - .5 ML(before # 13101001)	N/A			
9619	06.187.585		PISTON - .5 ML(after # 13101001)	9619			
9621	06.187.586		PISTON - 1 ML				
9622	06.187.587		PISTON - 2 ML				
9625	06.187.588		PISTON - 5 ML				
9600	07.187.005P	6 & 7	BARREL & PISTON SET .5 ML	9600			
		7	GLASS BARREL ONLY	***	9601	9602	9605
N/A	NOT AVAILABLE		REPL BARREL-.5ML(before # 13101001)	N/A			
9615	07.187.005		REPL BARREL-.5ML(after # 13101001)	9615			
9601	07.187.01		REPLACEMENT BARREL-1ML				
9602	07.187.02		REPLACEMENT BARREL-2ML				
9605	07.187.05		REPLACEMENT BARREL-5ML				
		8	CASING	9647	9641	9642	9645
9647	08.187.502		CASING - .5 ML				
9641	08.187.503		CASING - 1 ML				
9642	08.187.505		CASING - 2 ML				
9645	08.187.507		CASING - 5 ML				

SOCOREX Twin Syringes

Part Number	Socorex Number	Diagram #	Part Description	Syringe Size			
				.5 ml	1 ml	2 ml	5 ml
9700	1.187.72005	12,13,15,17	VALVE REBUILD KIT - COMPLETE	9700	9701	9702	9705
9701	1.187.7201		VALVE REBUILD KIT-.5ML				
9702	1.187.7202		VALVE REBUILD KIT-1ML				
9705	1.187.7205		VALVE REBUILD KIT-5ML				
9920	12.187.981	12	SOCOREX VALVE SPRINGS (PK 10)	9920	9920	9920	9920
9922	13.187.921	13	SOCOREX VALVE WASHERS (PK 10)	9922	9922	9922	9922
9914	14.705.010	14	NOZZLE - LUER LOCK	9914	9914	9914	9914
9919	15.187.928	15	BARREL CASING WASHERS (PK 10)	9919	9915	9916	9917
9915	15.187.924		BARREL CASING WASHERS(10) .5ML				
9916	15.187.925		BARREL CASING WASHERS(10) 1ML				
9917	15.187.926		BARREL CASING WASHERS(10)-2 ML				
9921	17.187.991	17	SOCOREX VALVE BALLS (PK 10)	9921	9921	9921	9921
9515	1.187.2B	23-26	FEED TUBE KIT - COMPLETE	9515	9515	9515	9515
9923	23.187.705	23	SOCOREX FEED TUBE-3 FEET	9923	9923	9923	9923
9924	F00161115000	23 Bulk	SOCOREX FEED TUBE-BULK	9924	9924	9924	9924
9540	24.187.596	24	SINKER - FEEDTUBE MODELS	9540	9540	9540	9540
9543	25.187.591	25	PLASTIC VENT CANULA	9543	9543	9543	9543
9544	25.187.933	25 Bulk	PLASTIC VENT CANULA (PK 10)	9544	9544	9544	9544
9550	26.187.592	26	FEED NEEDLE	9550	9550	9550	9550
9940	41.287.561	41	HANDLE - GREEN	9940	9940	9940	9940
9880	41.287.560		HANDLE - BLUE	9880	9880	9880	9880
9944	44.187.701	44	HANDLE SCREW	9944	9944	9944	9944
9945	45.187.931	45	HANDLE CLIPS (PK 10)	9945	9945	N/A	N/A
9946	46.187.711	46	SOCKET SLEEVE	9946	9946	9947	9948
9947	46.187.712		SOCKET SLEEVE - .5 & 1 ML				
9948	46.187.713		SOCKET SLEEVE-2 ML				
9943	47.287.931	47	CLIP (PK 10)	9943	9943	9943	9943
9942	48.287.981	48	HANDLE PLUNGER-GRN (before 13021001)	9942	9931	9942	9942
9960	48.287.980		HANDLE PLUNGER-GRN (after 13021001)	9960	9931	9962	9942
9931	48.287.982		HANDLE PLUNGER - BLUE	9881	9882	9883	9884
9942	48.287.981		PLUNGER- .5 ML GRN (before 13021001)				
9962	48.287.988		PLUNGER- .5 ML GRN (after 13021001)				
9942	48.287.981		PLUNGER- 2 ML GRN (before 13021001)				
9881	48.287.940		PLUNGER- 2 ML GRN (after 13021001)				
9882	48.287.941		HANDLE PLUNGER - 5ML GREEN				
9883	48.287.942		HANDLE PLUNGER - 1ML GREEN				
9884	48.287.943		HANDLE PLUNGER - 5ML BLUE				
9950	50.187.959	50	HANDLE PLUNGER - .5 ML BLUE				
9951	50.187.618		HANDLE PLUNGER - 1 ML BLUE				
			HANDLE PLUNGER - 2 ML BLUE				
			HANDLE PLUNGER - 5 ML BLUE				
			INTAKE VALVE	9950	9950	9951	9951
			INTAKE VALVE - .5 & 1 ML				
			INTAKE VALVE- 2 & 5ML				